

Interface adapter VBus® /USB with ServiceCenter software



The new VBus®/USB interface adapter is the interface between the controller and a personal computer. With its standard mini-USB port it enables a fast transmission of system data for processing, visualizing and archiving

- USB 2.0 full speed compatible
- With mini-USB-B-port
- Remote parametrisation of the controller via VBus®

as well as the parametrization of the controller via the VBus®.

A full version of the RESOL ServiceCenter software is included.

- Full version of RSC software included on CD-ROM

RESOL VBus® /USB full version

PC-connection set for RESOL controller with VBus®, with software RSC full version

Article-no.: 180 008 80

The RESOL VBus® is a two-wire bus, which allows RESOL controllers and additional modules to interchange data. These data are either purely informative or can be used for control purposes. In addition to that, it is possible to feed bus stations with electric energy, provided that their current consumption is low enough (e.g. remote data display); thereby, a special energy supply of the controller is no longer necessary.

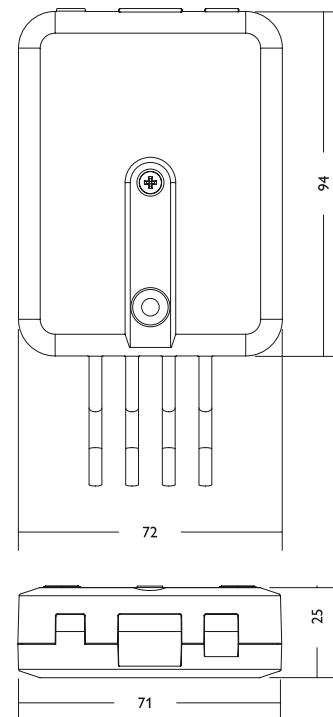
The RESOL controllers of the more recent generation are all equipped with connection possibilities for the VBus®. The connections are established by two twisted wires (e.g. bell wire).

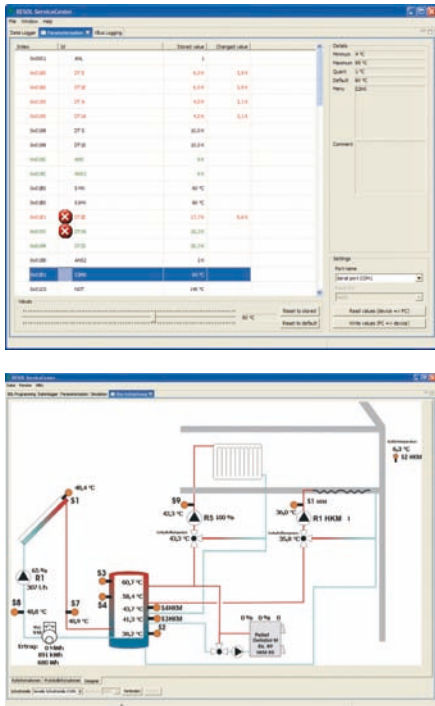
Housing: plastic

Protection class: IP20/DIN 40 050

Dimensions: 95 x 70 x 25 mm

Power supply: via RESOL VBus®





ServiceCenter Software RSC

The modular designed software enables PC-recording of the data measured by the controller, editing of the data files for further processing by standard spreadsheet programs and visualization of individual systems with all measuring- and balancing values.

- VBus®-record: all measuring and balance values received by the VBus® are filed in a text file; this file can be processed by a standard spreadsheet program
- Designer: allows the positioning of the VBus® values on a customized background graphic; in this way, system visualizations for any solar system can be presented in real-time
- Datalogger: possibility to manage any number of datalogger (DL1); the ServiceCenter establishes connection at the push of a button, reads out the data, if necessary, deletes data from the logger and converts data into a text file
- Parametrization: DeltaSol® BS/1-4, BS Plus, ES, E, M, BX, MX can be easily configured on PC; the values are checked on domains and possible overlappings are transferred by VBus® to the controller
- Support

Interface adapter VBus® / PWM

- Speed control of high-efficiency pumps for controllers without integrated PWM outputs
- Convertible from PWM to 0-10V signal

Housing: plastic

Protection class: IP20/DIN 40 050

Dimensions: 95 x 70 x 25 mm

Display: Seven-segment LED display

Power supply:

Input voltage of power supply adapter:

100 ... 240 V~ (AC)/50-60 Hz

Input voltage of interface adapter: 12V $\overline{=}$ (DC)



The RESOL VBus® / PWM interface adapter enables the speed control of two high-efficiency pumps even without an integrated PWM-output on the system's controller. The adapter is installed between

the VBus® output of the controller and the PWM-input of the high-efficiency pump, where it transforms the VBus® data packets into a 0-10V or a PWM signal.

RESOL Interface adapter VBus® / PWM

VBus® converter into PWM- or 0-10V-signal

Article-no.: 180 008 60

VBus® Touch

Mobile system monitoring worldwide



VBus® Touch. It is a software especially designed for the Apple iPhone and iPod touch. It displays both live data and a progression chart of the solar system at any place in the world, provided that the system is run by a RESOL controller equipped with a VBus® interface and a datalogger connected to the Internet via LAN. If the iPhone or the iPod touch are in a portrait orientation, a hydronic scheme and live data of the system are displayed. As soon as the device is turned into landscape orientation, the integrated accelerometer switches to the display of a progression chart. By running a finger along the

progression chart, a time axis appears that displays the different data from any point in the progression period. In portrait orientation, the background color of the hydronic scheme is automatically adjusted to the current tank temperature.

From the Apple App Store, the software can be installed on the individual device without any expertise required. Already included is the access to two RESOL test systems, so that the application can be viewed and tried with real data without any delay. Take a look at the animated demo of the VBus® Touch software.

For all iPhone and iPod touch users, a new way to visualize the data of a solar thermal system has become available:

The brand-new VBus® Touch software is now available free of charge in Apple's download portal App Store.



VBus® is a trademark of RESOL GmbH
App Store, iPod touch and iPhone are trademarks of Apple Inc.