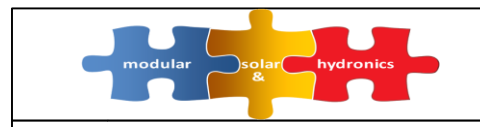
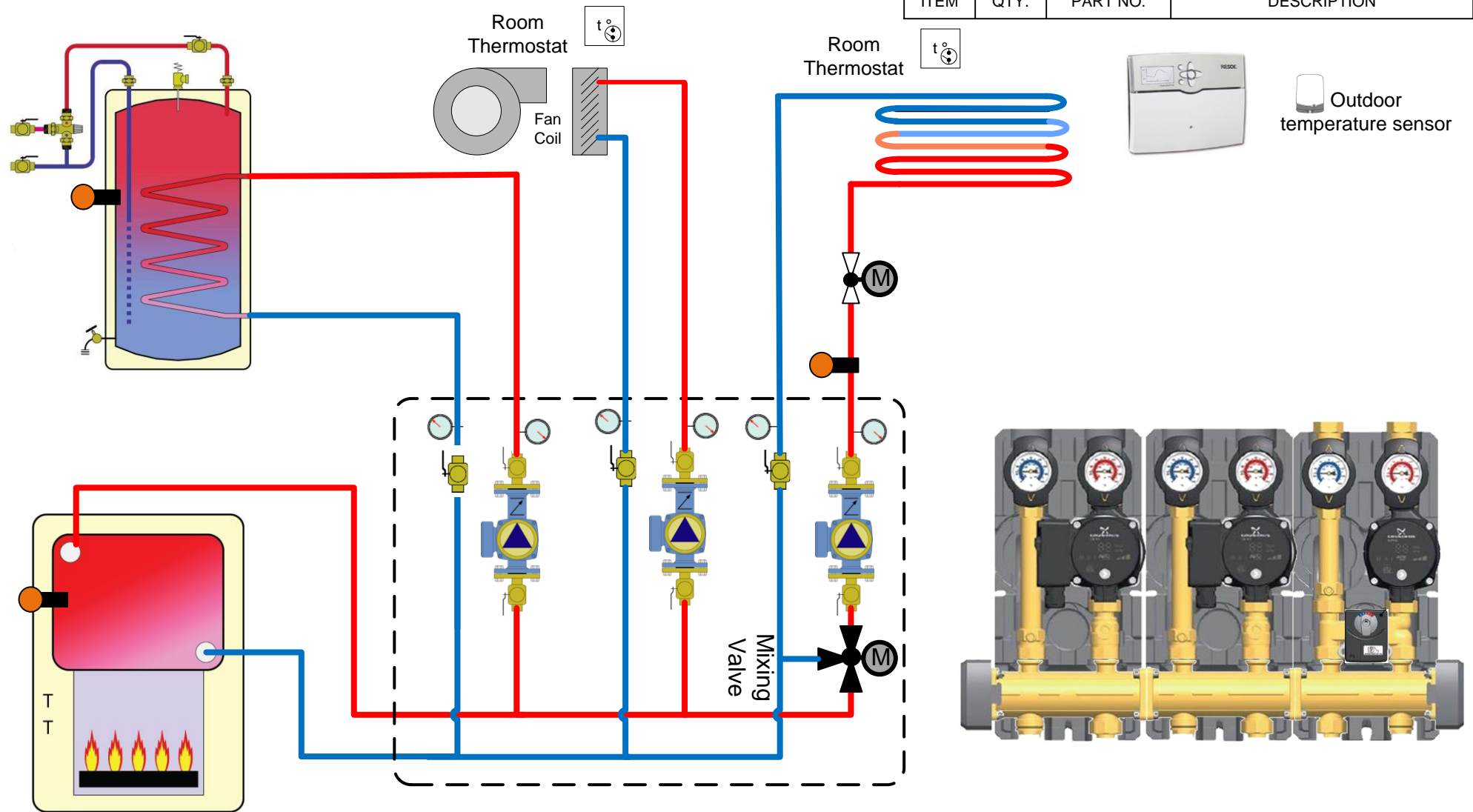


ITEM	QTY.	PART NO.	DESCRIPTION
------	------	----------	-------------



DRAWN L.Y

ISSUED Feb-06/2018

SIZE FSCM NO

SCALE NTS

DWG NO
3 Zones/ 1 Radiant, 1 Fan Coil & 1 DHW

SHEET 1 OF 3

REV