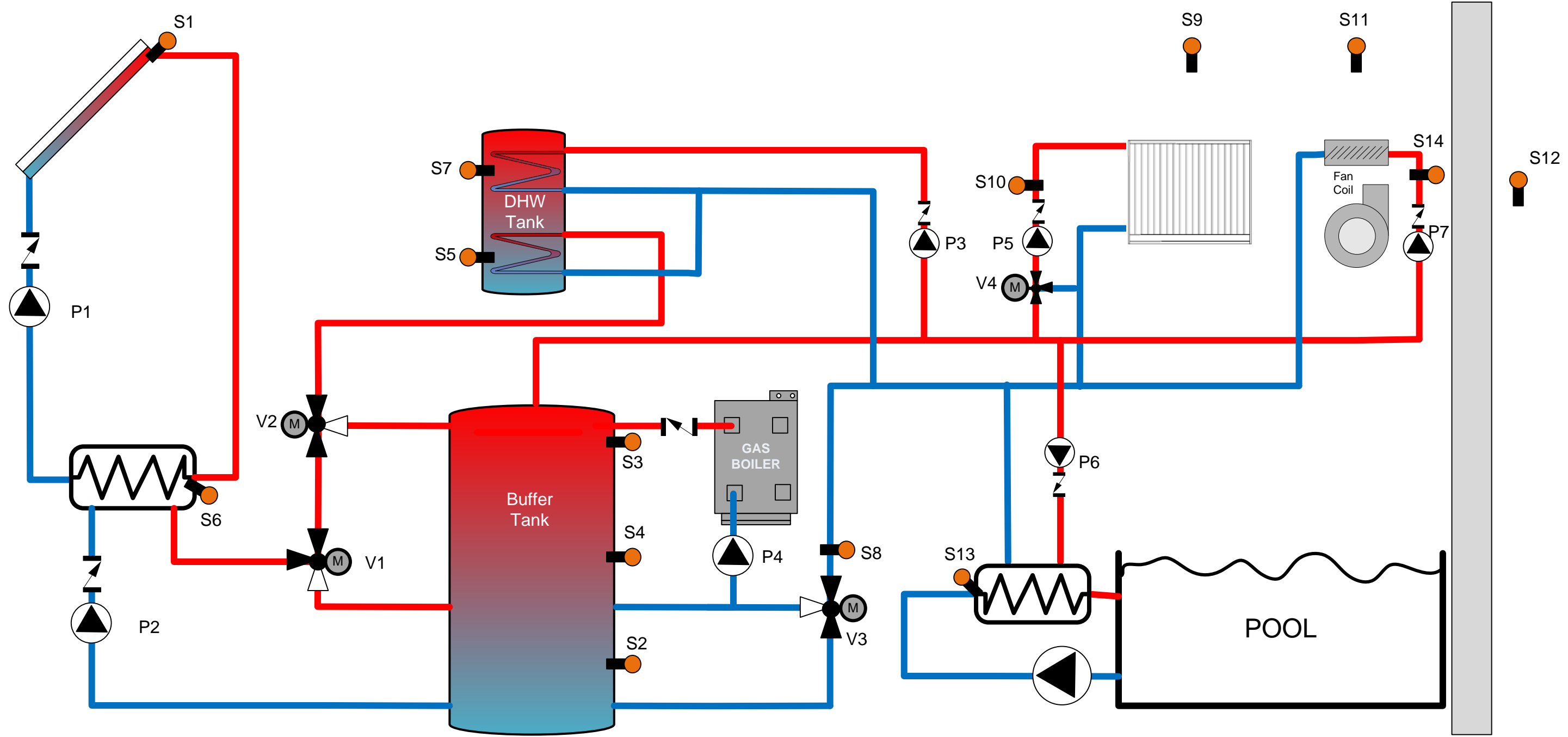


ITEM	QTY.	PART NO.	DESCRIPTION
DS MX	1	115 992 17	RESOL DeltaSol MX Full Kit
FAP13	1	155 008 10	RESOL FAP13 outdoor temperature sensor
RTA-11M	1	136 000 20	RESOL RTA11-M; Remote control/Room Thermostat
S xx	1	155 000 80	RESOL FRP6; 5 ft. Immersion Temp. Sensor PUR cable



**CONFIDENTIAL**  
 THIS DRAWING IS THE PROPERTY OF SOLARNETIX INC.  
 AND CAN NOT BE ALTERED, REPRODUCED OR DISTRIBUTED  
 WITHOUT WRITTEN PERMISSION

		SIZE	FSCM NO	DWG NO	REV
				MX-53_HC-1131	
DRAWN	VT	SCALE	NTC	SHEET	1 OF 1
ISSUED	01/22/2013				