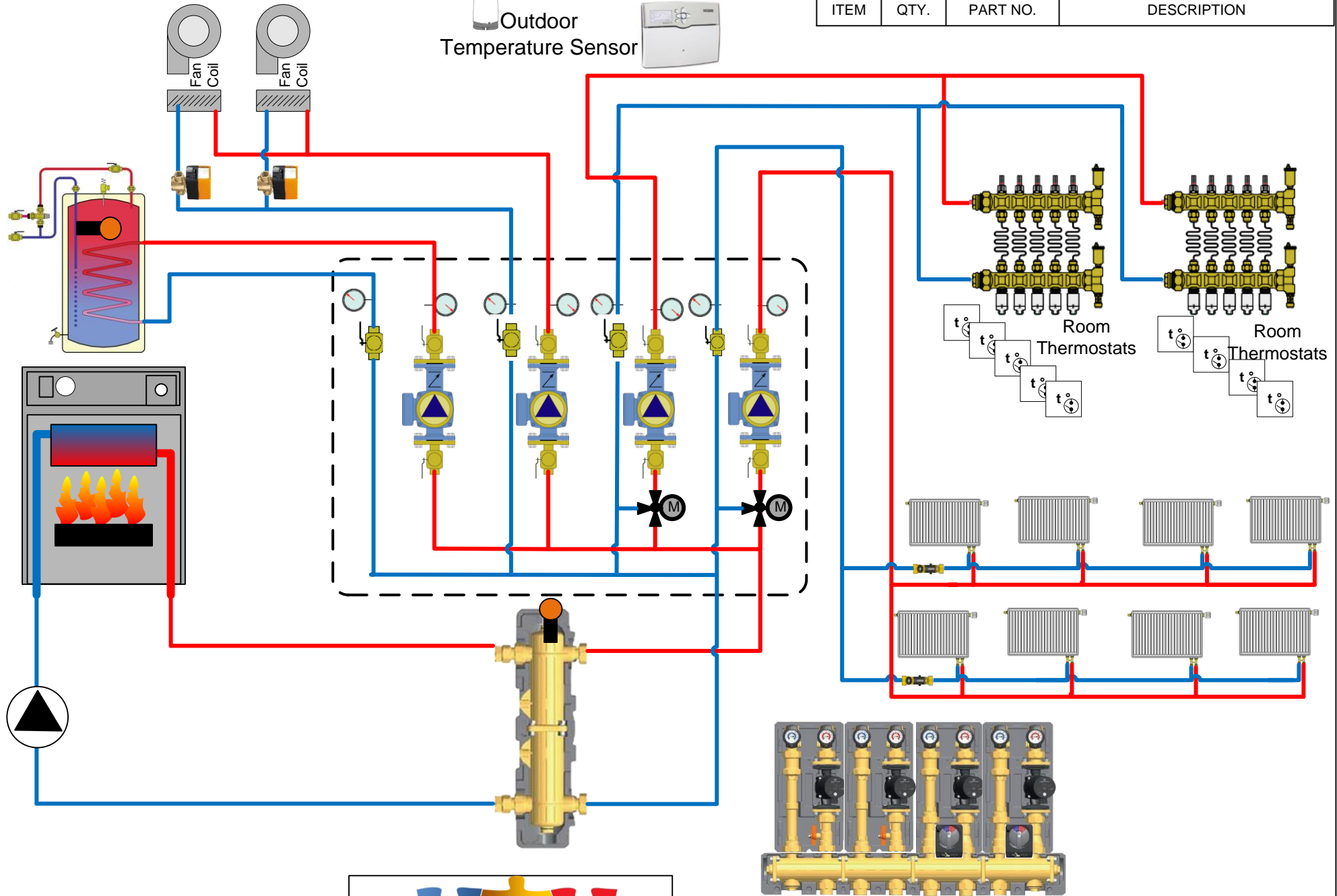
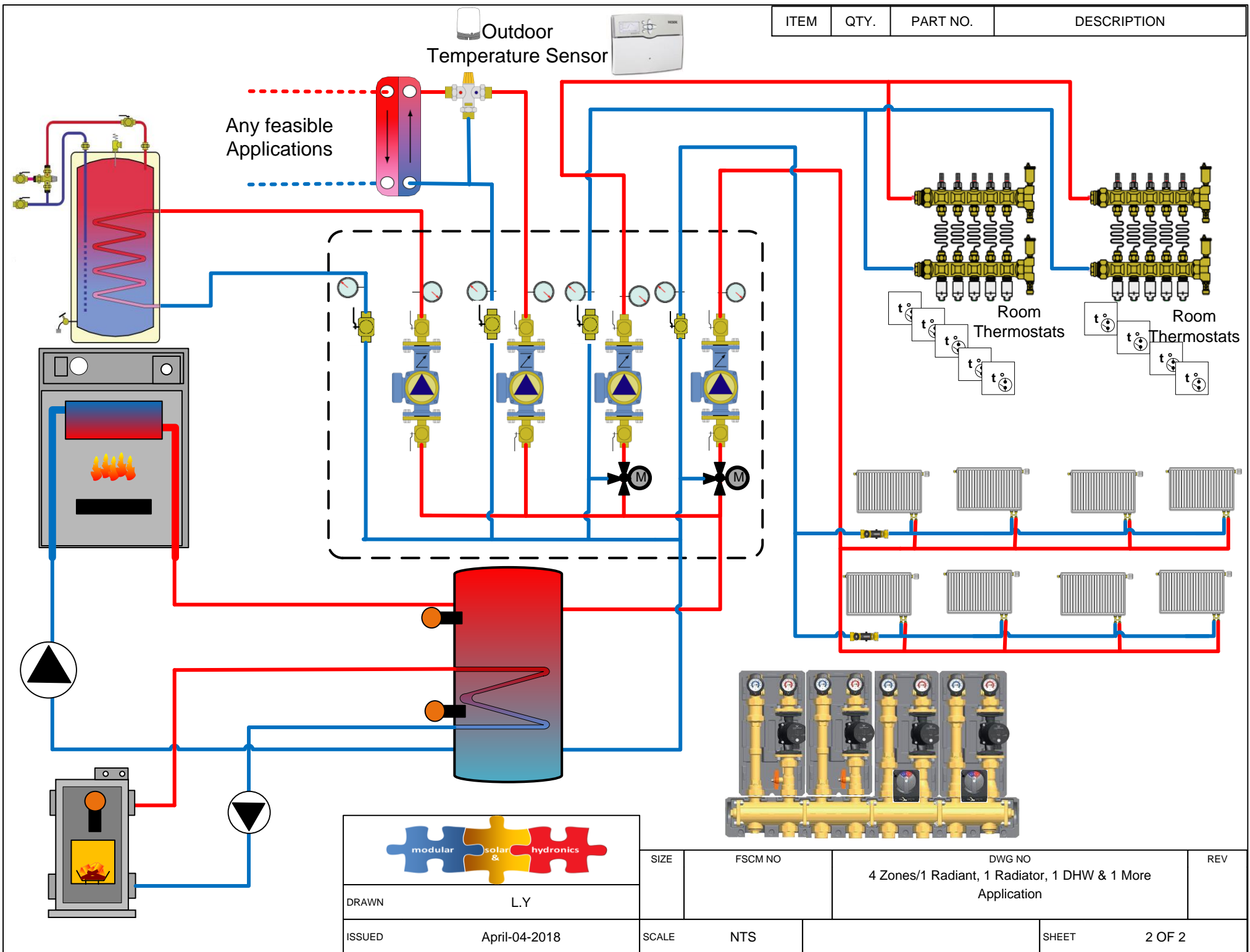


Outdoor Temperature Sensor

ITEM	QTY.	PART NO.	DESCRIPTION
------	------	----------	-------------



DRAWN		L.Y	SIZE	FSCM NO	DWG NO	REV
ISSUED		April-04-2018	SCALE	NTS	4 Zones/1 Radiant, 1 Radiator 1 Fan Coils & 1 DHW	
				SHEET	1 OF 2	



ITEM	QTY.	PART NO.	DESCRIPTION
------	------	----------	-------------

DRAWN	L.Y
ISSUED	April-04-2018

SIZE	FSCM NO	DWG NO	REV
		4 Zones/1 Radiant, 1 Radiator, 1 DHW & 1 More Application	
SCALE	NTS	SHEET	2 OF 2