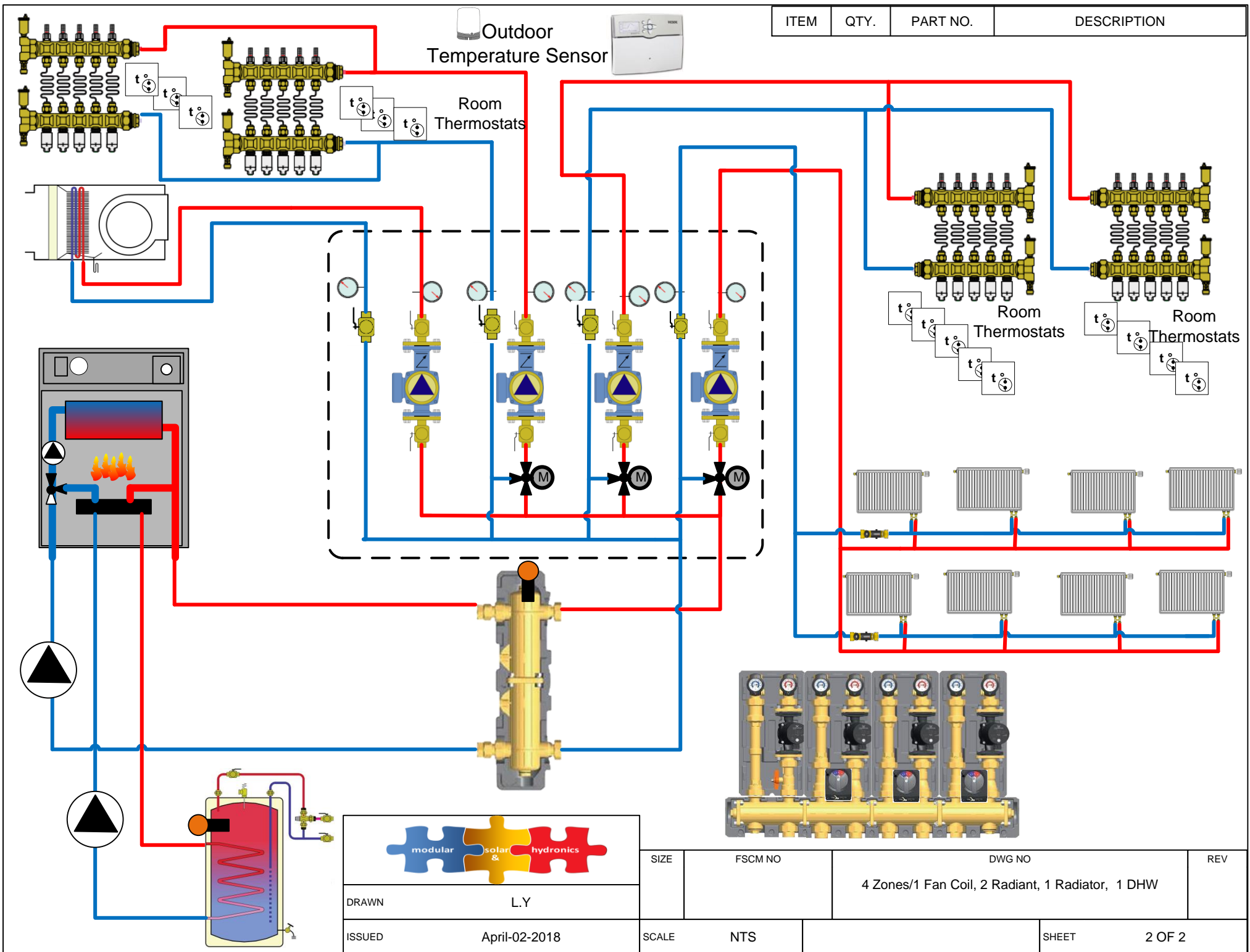


ITEM	QTY.	PART NO.	DESCRIPTION
------	------	----------	-------------



DRAWN	L.Y
ISSUED	April-02-2018

SIZE	FSCM NO	DWG NO	REV
		4 Zones/2 Radiant, 1 Radiator & 1 DHW	
SCALE	NTS	SHEET	1 OF 2



ITEM	QTY.	PART NO.	DESCRIPTION
------	------	----------	-------------



DRAWN	L.Y
ISSUED	April-02-2018

SIZE	FSCM NO	DWG NO	REV
		4 Zones/1 Fan Coil, 2 Radiant, 1 Radiator, 1 DHW	
SCALE	NTS	SHEET	2 OF 2