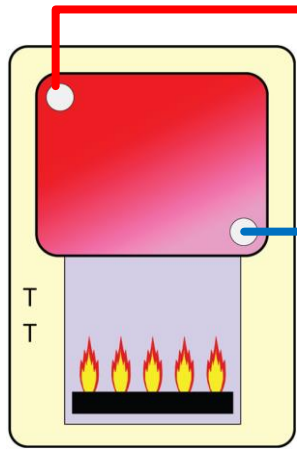
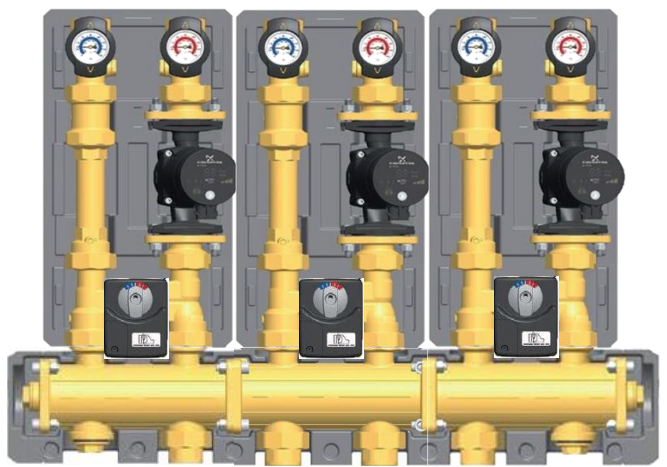
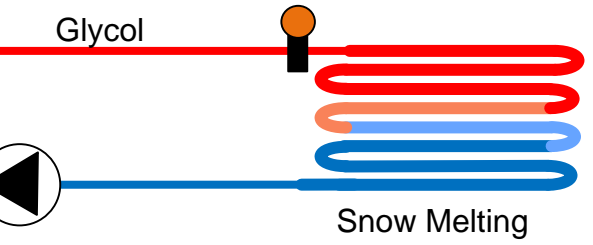
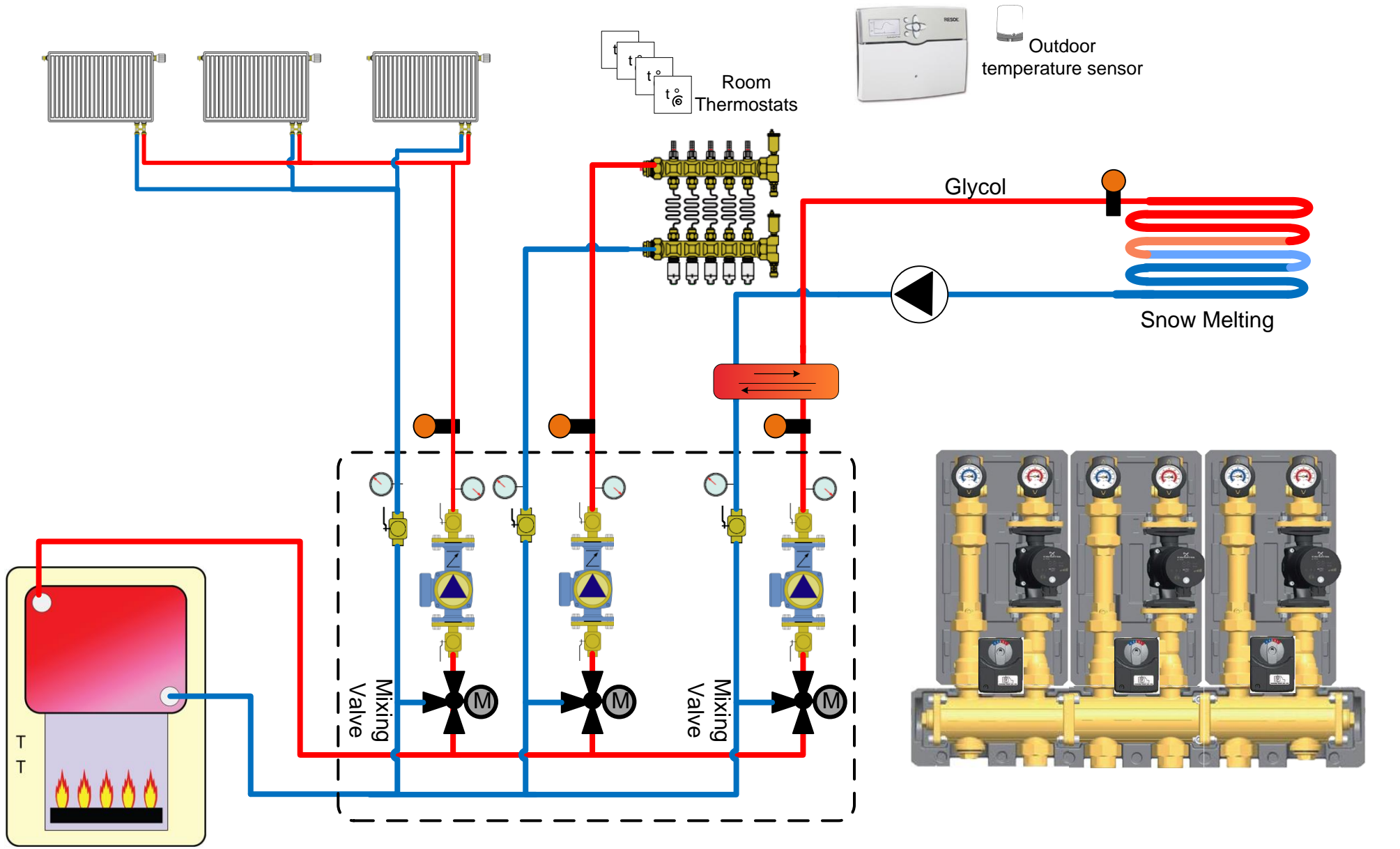


ITEM	QTY.	PART NO.	DESCRIPTION
------	------	----------	-------------



DRAWN	L.Y
ISSUED	Feb-12-2018

SIZE	FSCM NO	DWG NO	REV
		3 Zone/1 Radiator, 1 Radiant Floor, and 1 Ice Melting	
SCALE	NTS	SHEET	1 OF 1