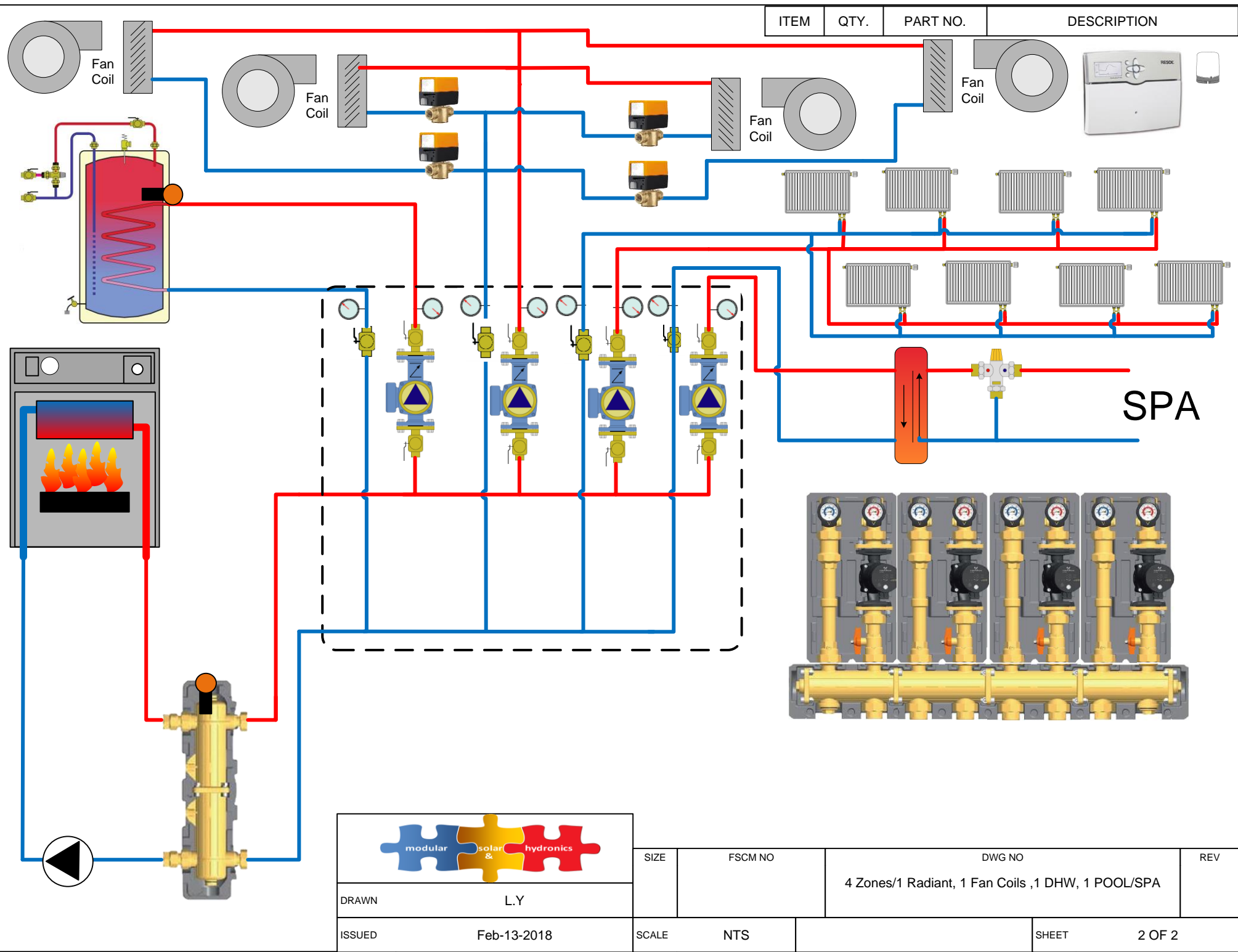



ITEM	QTY.	PART NO.	DESCRIPTION
------	------	----------	-------------

DRAWN	L.Y
ISSUED	Feb-13-2018

SIZE	FSCM NO	DWG NO	REV
		4 Zones/1 Radiant, 2 Fan Coils & 1 DHW	
SCALE	NTS	SHEET	1 OF 2



ITEM	QTY.	PART NO.	DESCRIPTION
------	------	----------	-------------



 DRAWN: L.Y.

 ISSUED: Feb-13-2018

SIZE	FSCM NO	DWG NO	REV
		4 Zones/1 Radiant, 1 Fan Coils , 1 DHW, 1 POOL/SPA	
SCALE	NTS	SHEET	2 OF 2