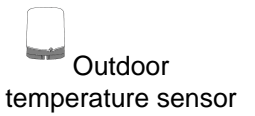
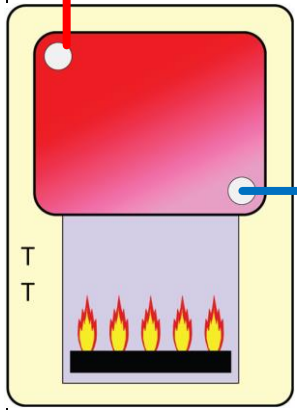
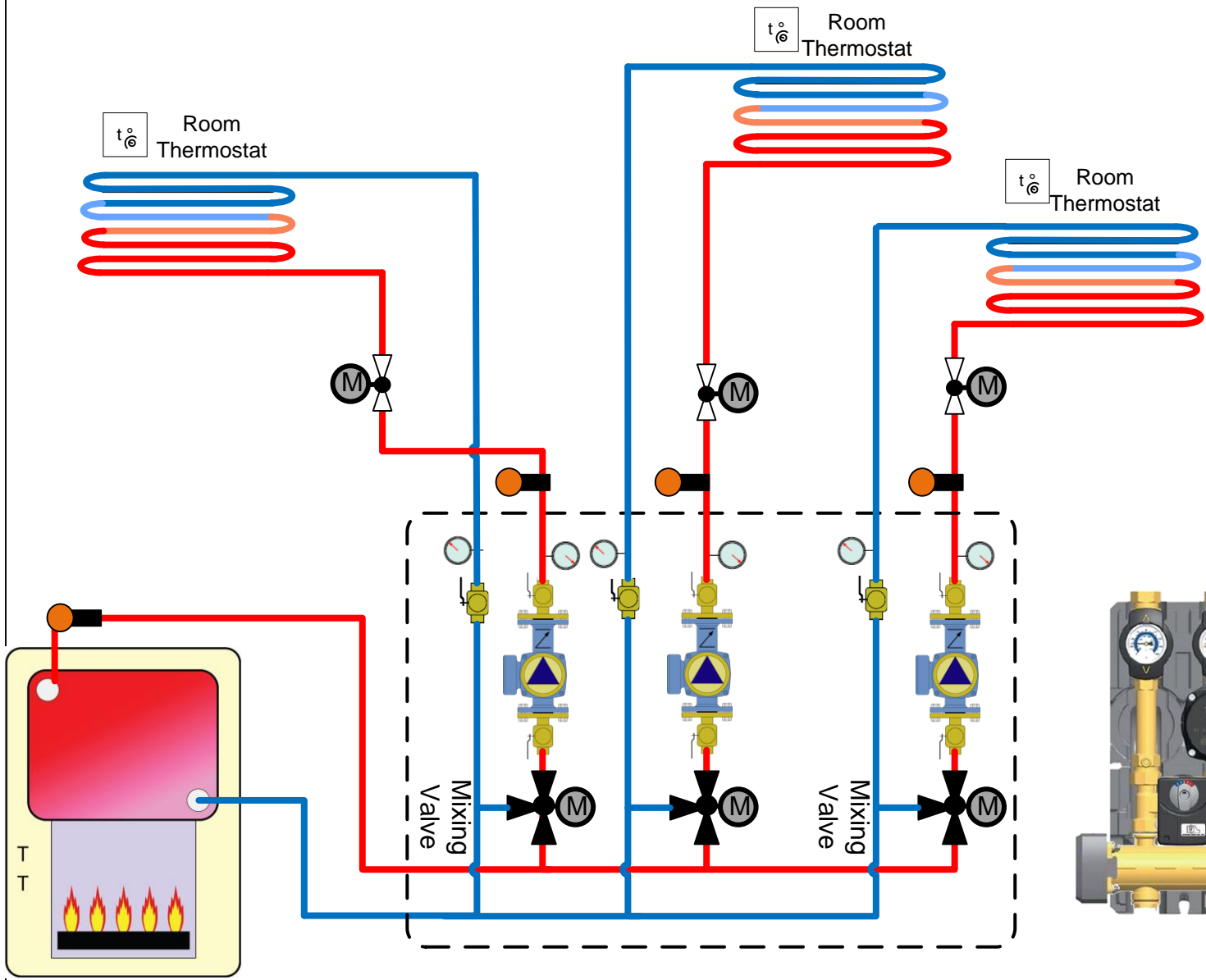


ITEM	QTY.	PART NO.	DESCRIPTION
------	------	----------	-------------



Outdoor temperature sensor



DRAWN	L.Y
ISSUED	Feb-06-2018

SIZE	FSCM NO	DWG NO	REV
		3 Zone/3 Temperature Radiant Heat Control Panel System	
SCALE	NTS	SHEET	1 OF 1