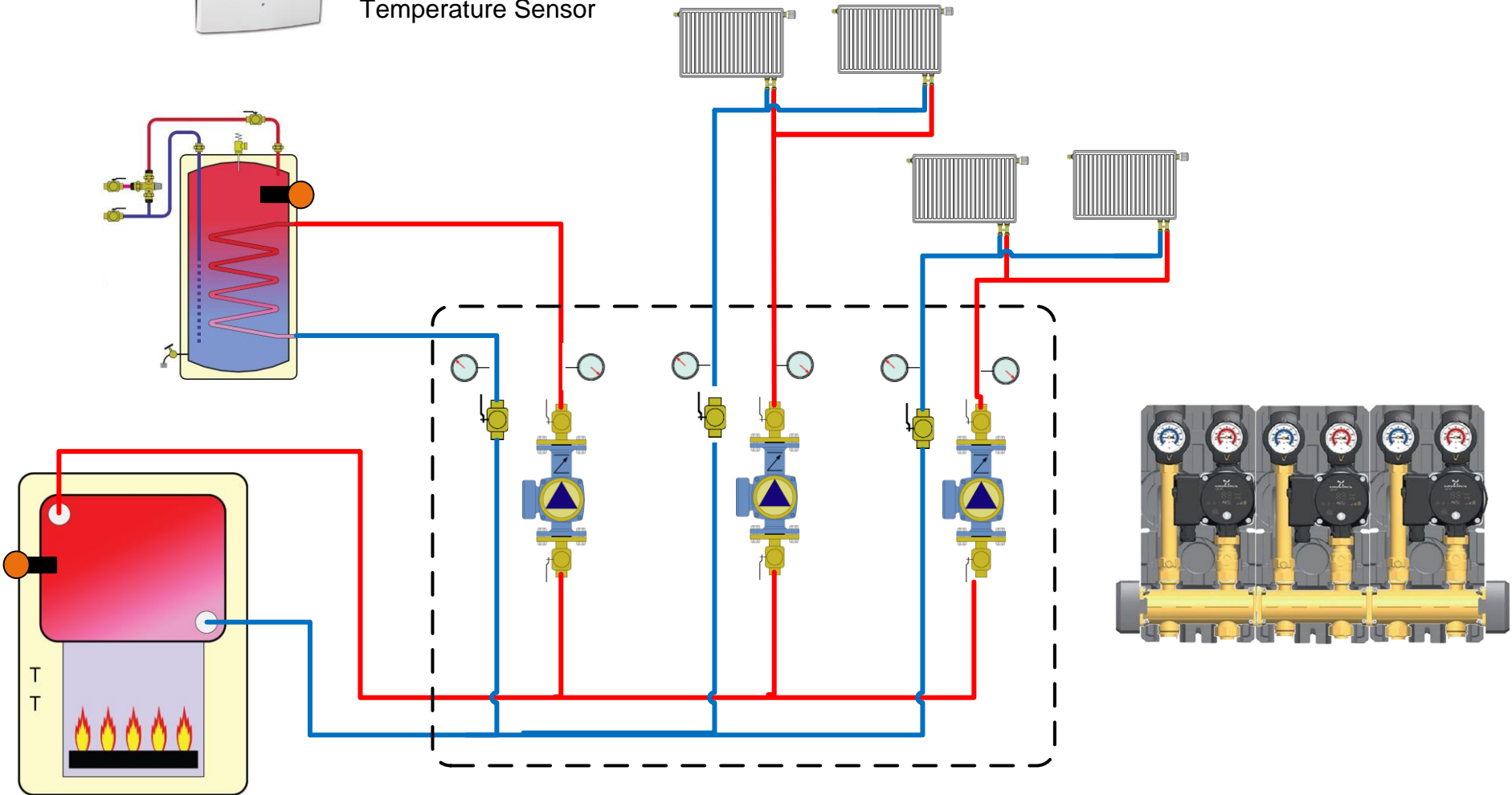


ITEM	QTY.	PART NO.	DESCRIPTION
------	------	----------	-------------



Outdoor Temperature Sensor



DRAWN		L.Y		SIZE	FSCM NO	DWG NO		REV
ISSUED		Feb-06-2018		SCALE	NTS	3 Zone/2 Radiant Zones & 1 DHW		
						SHEET	1 OF 1	