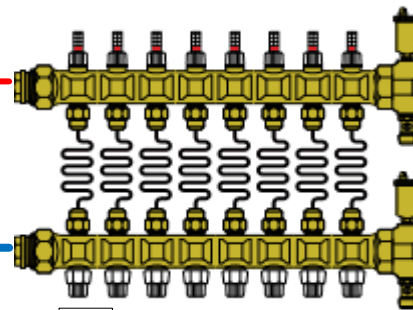
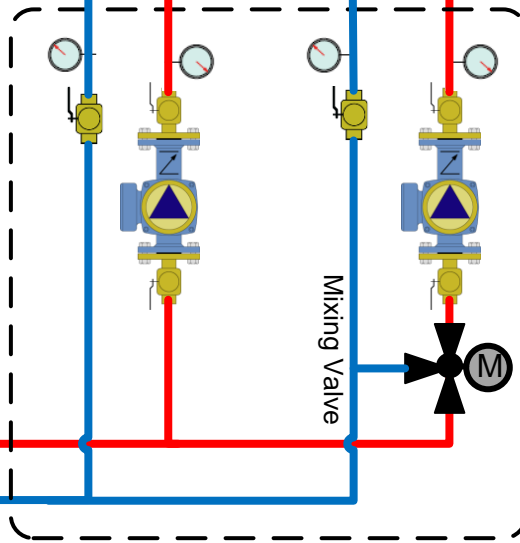
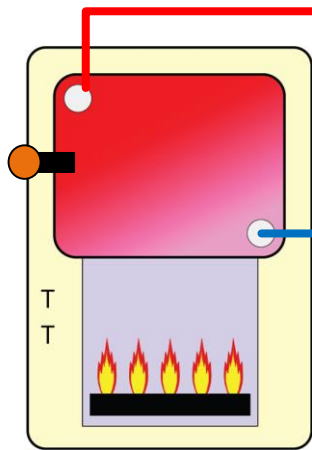
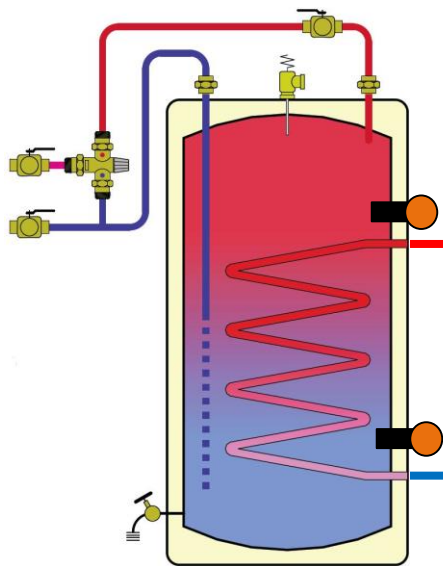


ITEM	QTY.	PART NO.	DESCRIPTION
------	------	----------	-------------



Room  
Thermostats

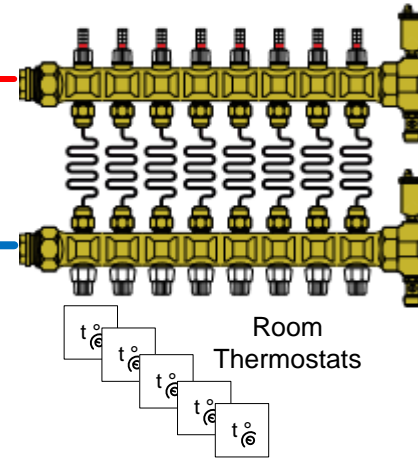
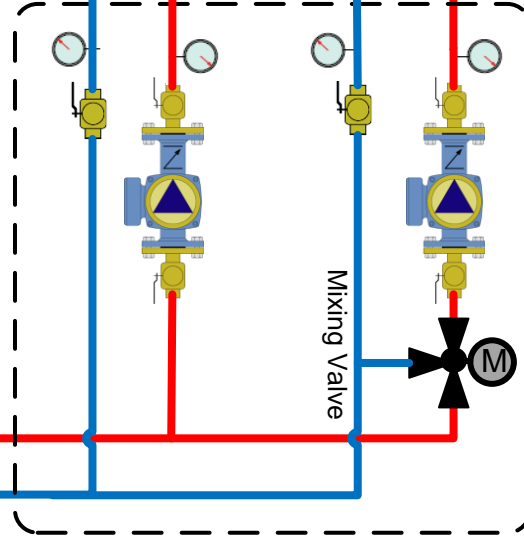
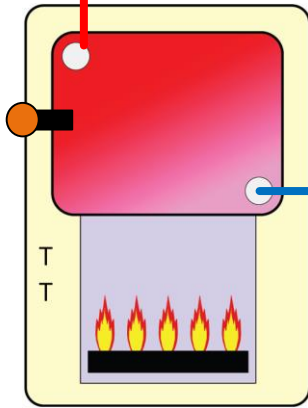
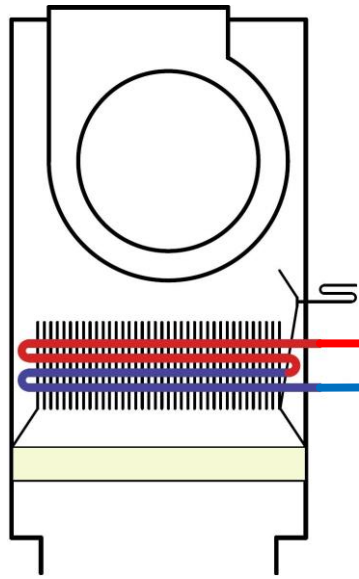


Outdoor  
temperature sensor



DRAWN	L.Y
ISSUED	10-10-10

SIZE	FSCM NO	DWG NO	REV
		2 Zone/1 DHW, 1 Radiant Zone	
SCALE	NTS	SHEET	1 OF 1



Outdoor temperature sensor



ITEM	QTY.	PART NO.	DESCRIPTION
------	------	----------	-------------

DRAWN	L.Y
ISSUED	10-10-10

SIZE	FSCM NO	DWG NO	REV
		2 Zone/1 Fan Coil, 1 Radiant Zones	
SCALE	NTS	SHEET	2 OF 1