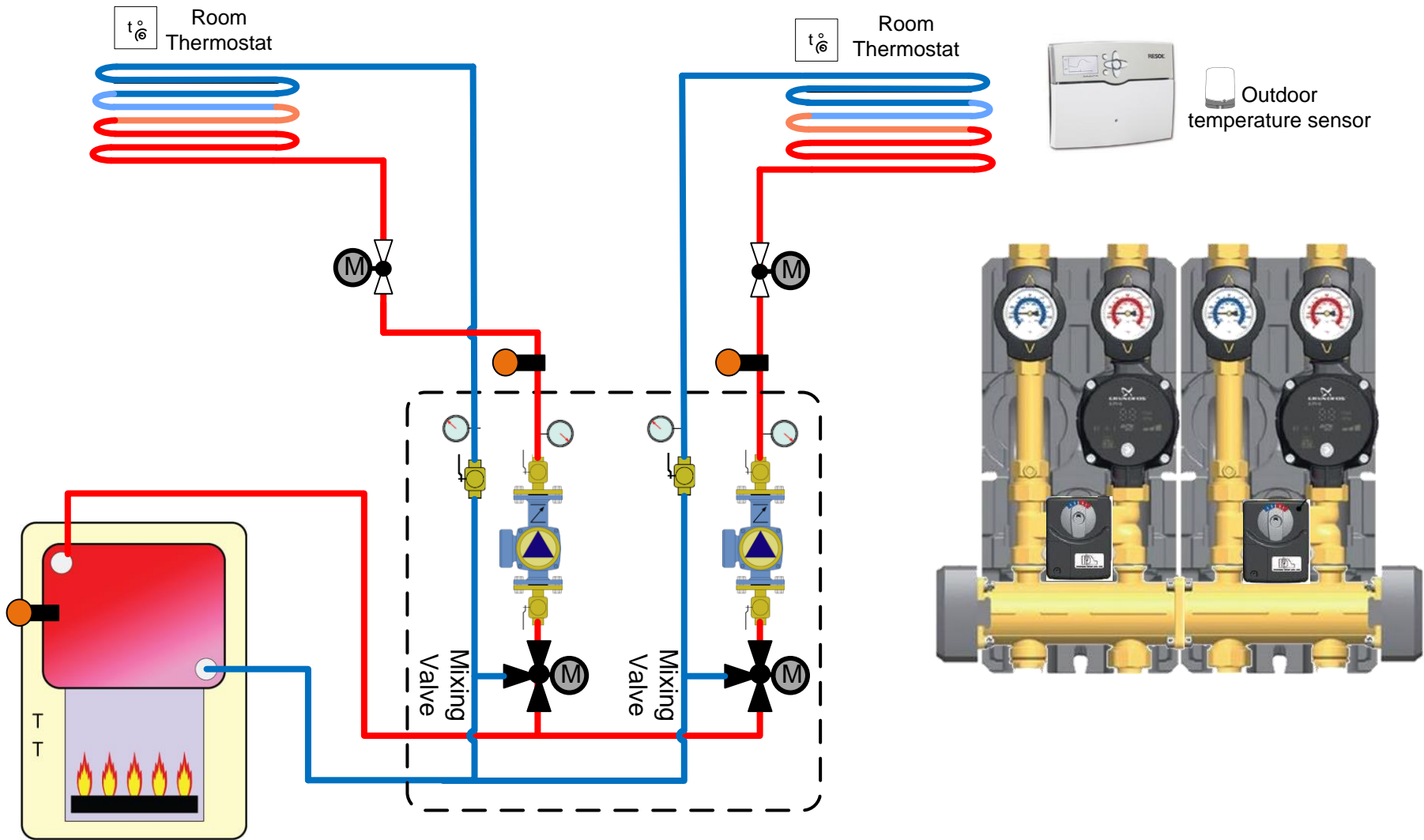


ITEM	QTY.	PART NO.	DESCRIPTION
------	------	----------	-------------



DRAWN		V.T		SIZE	FSCM NO	DWG NO		REV
ISSUED		10-10-10		SCALE	NTS	2 Zone/2 Temperature Radiant Heat Control Panel System		
				SHEET		1 OF 3		