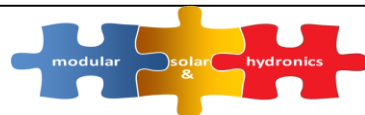
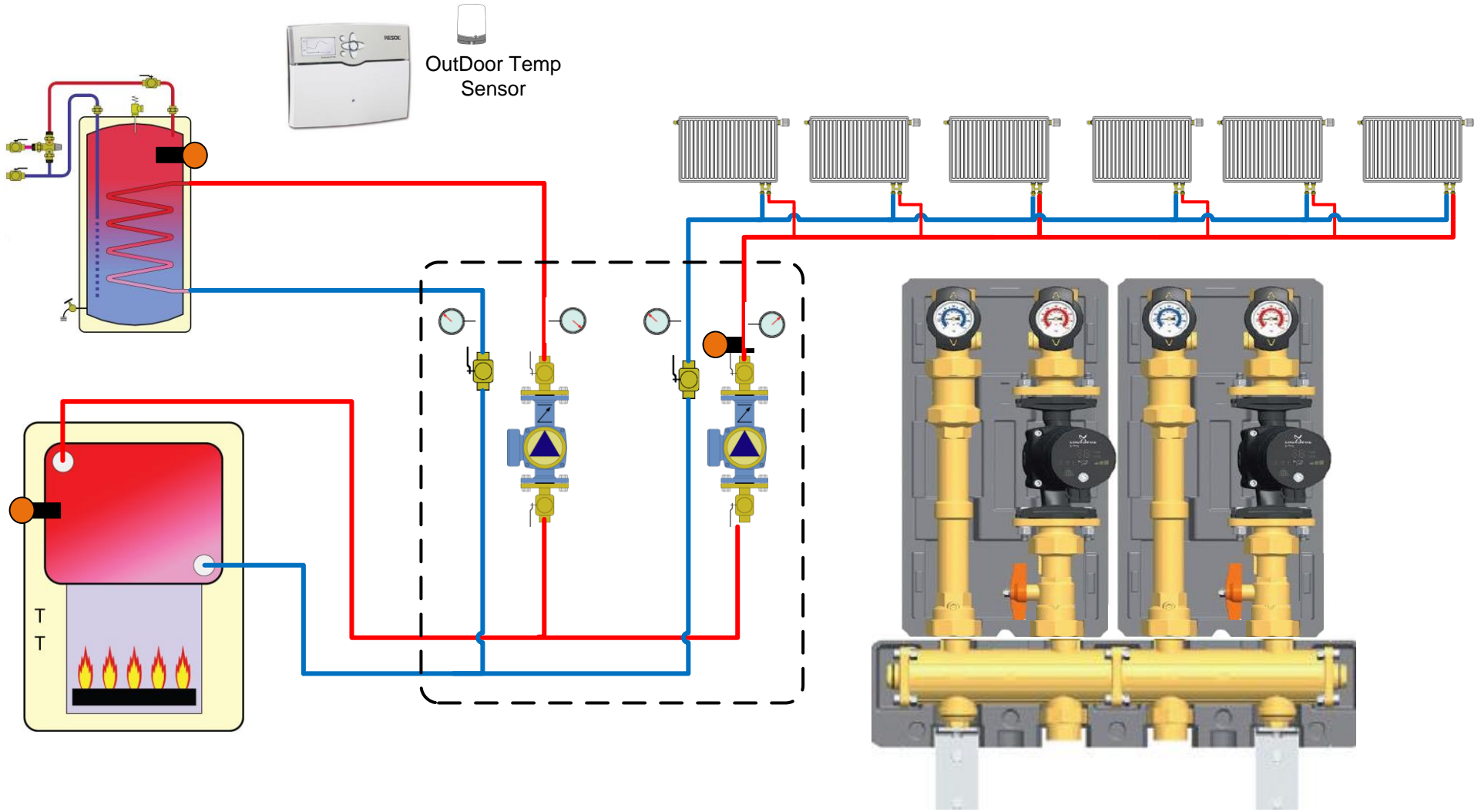
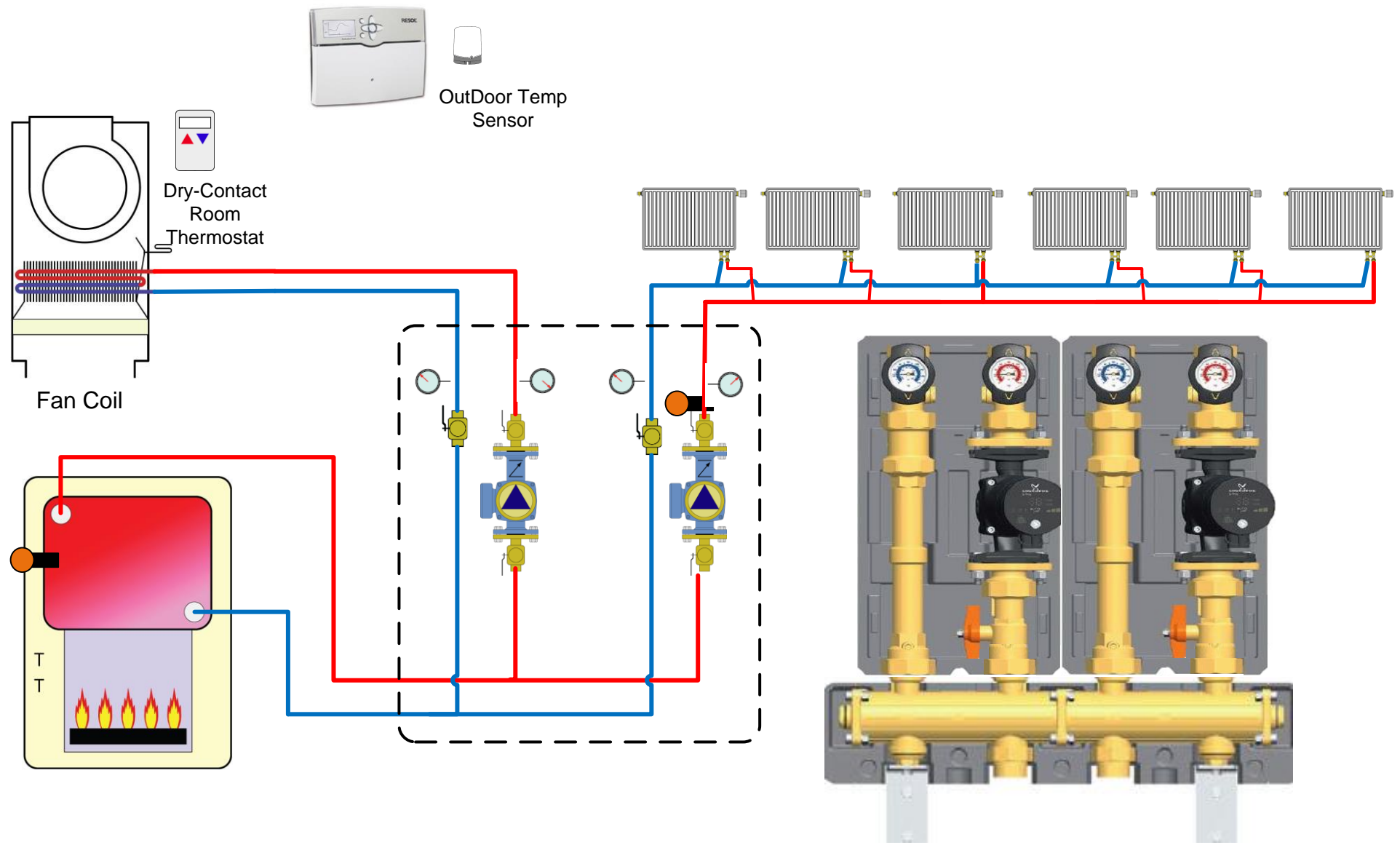


ITEM	QTY.	PART NO.	DESCRIPTION
------	------	----------	-------------



DRAWN		V.T		SIZE	FSCM NO	DWG NO		REV
ISSUED		10-10-10		SCALE	NTS	2 Zone/2 Temperature Radiant Heat Control Panel System		
						SHEET	1 OF 2	

ITEM	QTY.	PART NO.	DESCRIPTION
------	------	----------	-------------



DRAWN	L.Y
ISSUED	10-10-10

SIZE	FSCM NO	DWG NO	REV
		2 Zone/2 Temperature Radiant Heat Control Panel System	
SCALE	NTS	SHEET	2 OF 2